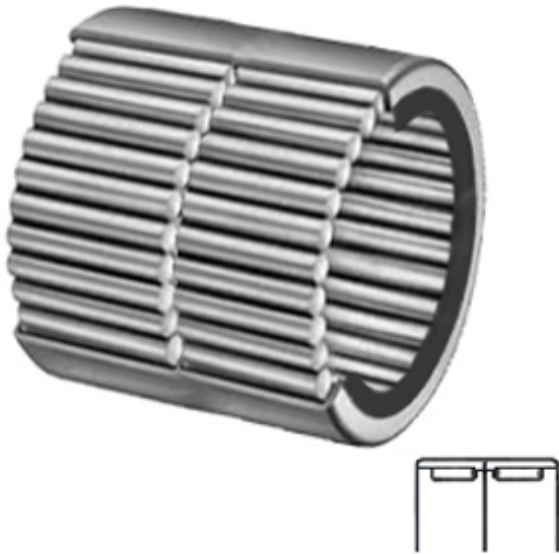




Shandong XSY Bearing Co., Ltd.



GR 26 RS Bearing 2D drawings and 3D CAD models

1.625 Inch | 41.275 Millimeter x 2.188 Inch |
 55.575 Millimeter x 1.25 Inch | 31.75 Millimeter
 MCGILL GR 26 RS Needle Non Thrust Roller
 Bearings

Bearing No. GR 26 RS

Category	Needle Non Thrust Roller Bearings
Inventory	0.0
Manufacturer Name	REGAL BELOIT
Minimum Buy Quantity	N/A
Weight	0.232
EAN	0726166062156
Product Group	B04144
Rolling Element	Needle Roller Bearing
Component	Roller Assembly with Outer Ring - No Inner Ring
Enclosure	1 Seal
Self Aligning	No
Retainer	No
Number of Rows of Rollers	Double Row
Separable	No
Closed End	No
Inch - Metric	Inch
Relubricatable	Yes
Thrust Bearing	No
Long Description	1-5/8" Bore; 2-3/16" Outside Diameter; 1-1/4" Width; Needle Roller Bearing; Roller Assembly with Outer Ring - No Inner Ring; 1 Seal Enclosure; No



Shandong XSY Bearing Co., Ltd.

	Self Aligning; No Retainer; Double Row
Other Features	1 Rib Outer Ring Full Complement Heavy Duty Oil Hole
Category	Needle Non Thrust Roller Bearing
UNSPSC	31171512
Harmonized Tariff Code	8482.40.00.00
Noun	Bearing
Keyword String	Needle
Manufacturer URL	http://www.emerson- ept.com
Manufacturer Item Number	GR-26-RS
Manufacturer Internal Number	5002640000
Weight / LBS	0.51
B	1.25 Inch 31.75 Millimeter
d	1.625 Inch 41.275 Millimeter
D	2.188 Inch 55.575 Millimeter